

Patent Pending

Delivers up to 1100 lumens to walkways, stairways and other small areas  
 Superior customized optics  
 Emergency battery backup (EMB) option  
 Rugged construction with a contemporary design  
 LED technology increases efficiency, eliminates maintenance and supports sustainable operations



## Key Applications

Stairways  
 Tunnels  
 Accessways  
 Walkways & bridges  
 Elevator pits  
 Under catwalks  
 Deck lighting  
 Platforms  
 Emergency backup lighting

## Compliances

ETL/cETL Listed (*standard fixture*) to:

- UL 1598 Suitable for Wet Locations
- UL 1598A Marine Outside Type (Saltwater)
- CSA C22.2 No. 250.0

ETL/cETL Listed (*fixture with EMB option*) to:

- UL 924
- CSA STD C22.2 No. 141

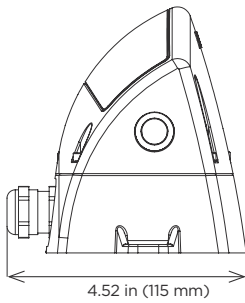
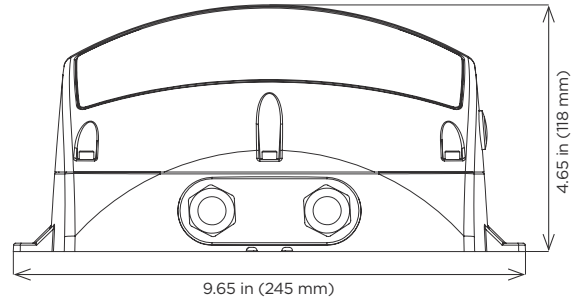
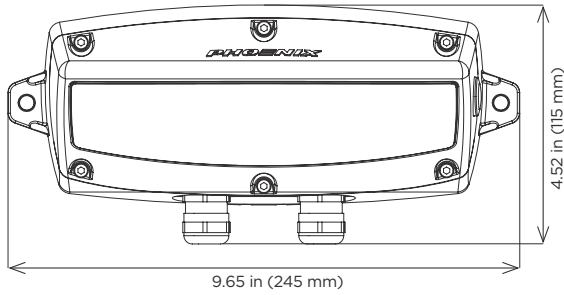
CE  
 ABS  
 IP66 rated  
 LM79 and LM80 reports available

## Specifications

<b>Construction</b>	Cast aluminum housing
<b>Finish</b>	Thermoset powder coat
<b>Hardware</b>	Marine grade (316) stainless steel
<b>Lens</b>	Clear polycarbonate, impact-resistant, UV resistant - standard Diffuse polycarbonate (DP), impact-resistant, UV resistant - optional
<b>Light source</b>	9W, up to 1100 lumens CRI ≥ 70 CCT 5000K - standard CCT 4000K - contact factory for availability 50,000 hour rated life
<b>Power source</b>	120-277V, 50-60Hz (unswitched source required for EMB option) 4kV surge protection
<b>Wiring</b>	72 in (1828 mm) cord with pigtail (CD) - optional Continuous row mounting (TW) - optional
<b>EMB</b>	Input power 120-277V, 50-60Hz Up to 15 watts (charging) 2HR (standard) minimum 120 minutes run time - Approximately 400 lumens - Maximum height 8.11 feet 6HR (optional) minimum 360 minutes run time - Approximately 250 lumens - Maximum height 5.00 feet
<b>Battery</b>	7.4V, 2500 mAh, Lithium-Ion 24 hour charge time (Li-Ion)
<b>Ambient operating temperature</b>	-40°C to +50°C - standard 0°C to +50°C - EMB option Contact factory for lower ambient temperature option
<b>Fixture weight</b>	4.0 lb (1.8 kg)
<b>Warranty</b>	5 years

For IES files, see website or contact factory

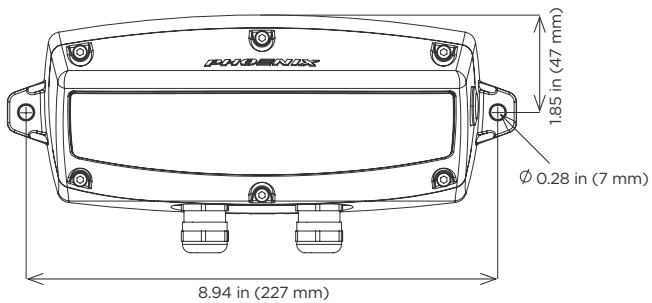
## Dimensions



## Mounting

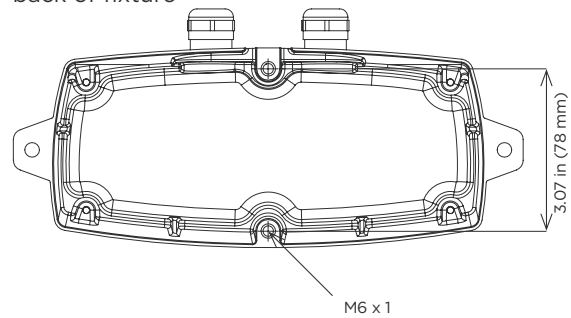
### Surface Mount

Comes standard with fixture



### Bracket Mount

Comes standard with fixture,  
2 x M6 threaded holes on  
back of fixture



## Ordering Information

**Example:** WF-10LED-DP-CD

Fixture	Wattage	Lens	Wiring	Options
WF	10LED	DP <sup>2</sup>	CD	EMB <sup>1</sup>
			TW	EMB-6HR <sup>3</sup>

### Wattage/Type

10LED 9W, up to 1100 lumens

### Lens

DP <sup>2</sup> Diffuse polycarbonate

### Wiring

CD 72 inch (1828 mm) cord with pigtail - standard  
 TW Continuous row mounting (TW) provided on all fixtures, install blanking plug (provided) when second cord grip not required

### Options

EMB <sup>1</sup> Emergency battery backup  
 EMB-6HR <sup>3</sup> Emergency Long Duration Battery backup (6 hours)

### Notes

- 1 Contact factory
- 2 Clear polycarbonate lens is standard, not available with EMB-6HR option
- 3 Maximum mounting height allowed is 5.0 feet

**Special Projects:** We may be able to accommodate your special projects, so please don't hesitate to ask about additional options. Minimum order quantities and/or extended lead times will apply. Contact your Phoenix representative with specific inquiries.

## Accessories (order separately)

### Safety Cable

available upon request