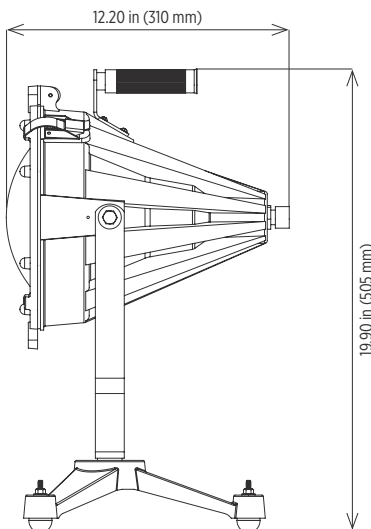
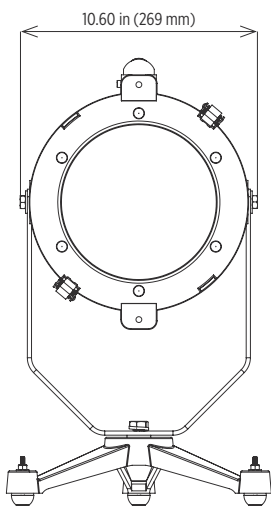




Rough-service portable floodlight with a lightweight design for easy handling  
For use in maintenance areas, ground vehicles, confined entry spaces and other mobile lighting applications  
Incandescent and halogen models with an optional wire guard accessory

### Dimensions



### Specifications

<b>Construction</b>	Marine grade, cast aluminum housing, door and tripod base
<b>Finish</b>	Yellow thermoset powder coat on housing and door
<b>Hardware</b>	Zinc plated
<b>Lens</b>	Convex, heat-resistant, heavy duty tempered glass
<b>Light source</b>	Accepts PAR 56 incandescent lamps (up to 500W) Lamp not included
<b>Power source</b>	120V or 12V DC
<b>Wiring</b>	8.00 inch (203 mm) 18-3 power cord (120V fixture) 168.00 inch (4267 mm) 18-3 power cord with weather-tight male twist-lock connector (12V fixture)
<b>Mounting</b>	Tripod base Steel plated harp
<b>Weight</b>	15.0 lb (6.8 kg)
<b>Warranty</b>	1 year

Contact factory for IES files

### Compliances

- UL Listed to:
- UL 1598 Suitable for Wet Locations
  - UL 153 Portable Work Lights
- CSA Certified to:
- C22.2 No. 9
  - C22.2 No. 12
  - C22.2 No. 94



Meets the requirements of the  
Buy American Act (BAA) and/or the  
American Recovery and Reinvestment Act (ARRA)



# WT Portable

Wet Location Sturdilite® Floodlight

**PHOENIX**<sup>®</sup>  
DURABILITY X DESIGN™

## Ordering Information

---

**Example:** WT120/56/500P

### Fixture

WT120/56/500P

WT12/56/300P-14P<sup>1</sup>

### Fixture

WT120/56/500P 120V fixture for mogul end prong lamp connection PAR 56 lamp fixture (500W maximum) with 8.00 inch (203 mm) cord  
WT12/56/300-14P<sup>1</sup> 12V DC fixture for screw terminal lamp connection incandescent lamps (300W maximum) with 168.00 inch (4267 mm) cord and weather-tight male twist-lock connector

### Notes

1 Not UL or CSA Listed

**Special Projects:** We may be able to accommodate your special projects, so please don't hesitate to ask about additional options. Minimum order quantities and/or extended lead times will apply. Contact your Phoenix representative with specific inquiries.

## Accessories (order separately)

---

### Wire Lens Guard

WG-6

Product design and specifications are subject to change without notice. The most current version of this specification sheet can be found on our website: [www.phoenixlighting.com](http://www.phoenixlighting.com).

