



9W wet location light designed to replace up to 150W incandescent light heads

Fully illuminates a 53 foot trailer with an even light distribution

Durable, compact design to endure accidental impact  
LED technology increases efficiency, eliminates maintenance and supports green initiatives

### Key Applications

Loading dock lighting  
Spray down areas  
Cold storage  
Wet location task lighting

### Compliances

ETL/cETL Certified to:

- UL 1598 Suitable for Wet Locations
- CSA C22.2 No. 250.0-08

IK10 (fixture)

LM79 and LM80 reports available

Buy American Act (BAA)

### Specifications

<b>Construction</b>	Marine grade, low-copper content aluminum housing
<b>Finish</b>	Safety yellow powder coat
<b>Hardware</b>	Marine grade (316) stainless steel hardware on light head Zinc plated hardware on arm
<b>Arms</b>	42 or 60 inch available 1.50 in (38 mm) square steel tube arms with wrist-action joint
<b>Lens</b>	Clear impact resistant polycarbonate (CP)
<b>Light source</b>	Osram light emitting diodes (LED) Up to 1100 lumens (9W) 25° spot (SP) and 42° flood (FL) optics available CRI ≥ 70 CCT 4000K 50,000 hour rated life
<b>Power source</b>	120V, 60Hz
<b>Wiring</b>	Three-conductor grounded cord from fixture to switch on wall bracket with weather-tight fitting
<b>Ambient operating temperature</b>	-18°C to +50°C (NS option) +5°C to +50°C (standard)
<b>Mounting</b>	Zinc plated steel bracket 0.53 inch (13.5 mm) mounting hole clearance
<b>Estimated weight</b>	42 inch arm - 30.0 lb (13.6 kg) 60 inch arm - 36.0 lb (16.3 kg)
<b>Warranty</b>	5 years

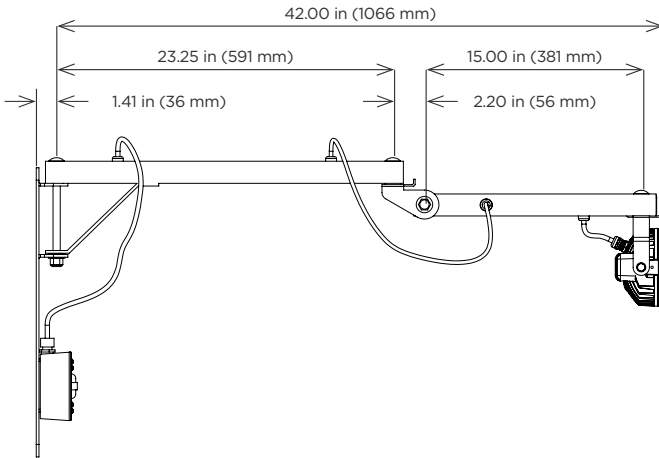
For IES files, see website or contact factory



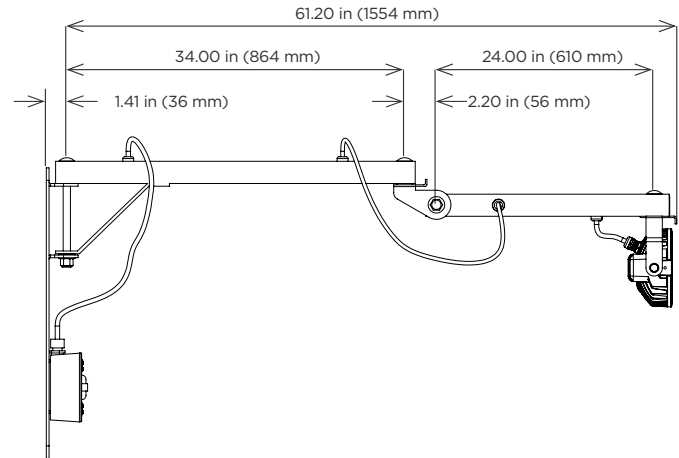
This product complies with domestic preference requirements such as BAA or TAA. For additional information, visit [phoenixlighting.com](http://phoenixlighting.com) or consult your representative.

### Dimensions

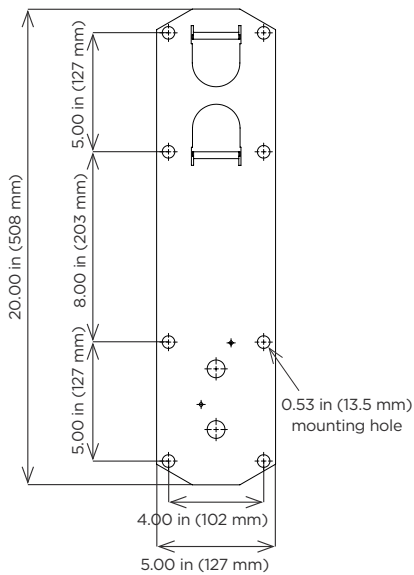
42 inch Arm



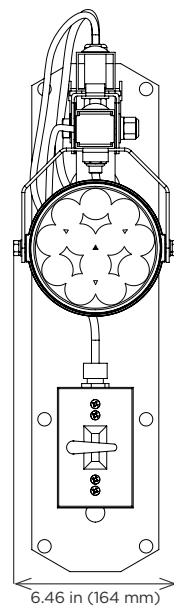
60 inch Arm



Mounting Plate



Fixture View



## Ordering Information

**Example:** DLA2-12LED-FL-42

Fixture	LED Count	Optic	Arm Length	Options
DLAW2	12LED	FL	42	NS
		SP	60	

LED Count	Optic	Arm Length	Options
12LED 12 LEDs, up to 1100 lumens, 9W	FL flood (42°)	42 42 inch arm	NS No switch on junction box
	SP spot (25°)	60 60 inch arm	

**Special Projects:** We may be able to accommodate your special projects, so please don't hesitate to ask about additional options. Minimum order quantities and/or extended lead times will apply. Contact your Phoenix representative with specific inquiries.