



9W wet location light designed to replace up to 150W incandescent light heads

Fully illuminates a 53 foot trailer with an even light distribution

Durable, compact design to endure accidental impact
LED technology increases efficiency, eliminates maintenance and supports green initiatives

Key Applications

Loading dock lighting
Spray down areas
Cold storage
Wet location task lighting

Compliances

ETL/cETL Certified to:

- UL 1598 Suitable for Wet Locations
- CSA C22.2 No. 250.0-08

IK10 (fixture)

LM79 and LM80 reports available

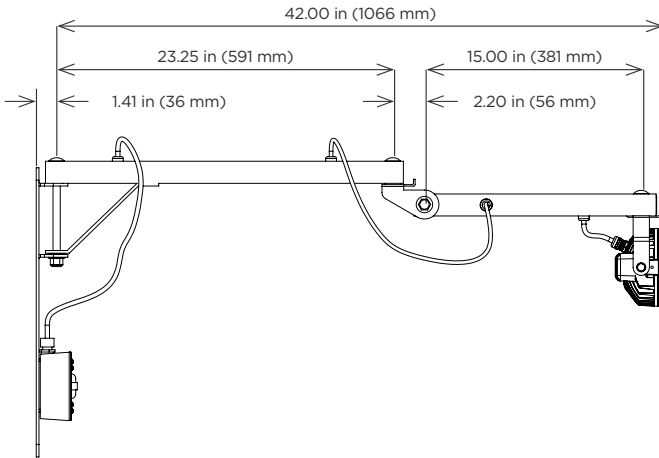
Specifications

Construction	Marine grade, low-copper content aluminum housing
Finish	Safety yellow powder coat
Hardware	Marine grade (316) stainless steel hardware on light head Zinc plated hardware on arm
Arms	42 or 60 inch available 1.50 in (38 mm) square steel tube arms with wrist-action joint
Lens	Clear impact resistant polycarbonate (CP)
Light source	Osram light emitting diodes (LED) 9W, up to 1100 lumens 25° spot (SP) and 42° flood (FL) optics available CRI ≥ 70 CCT 4000K 50,000 hour rated life
Power source	120V, 60Hz
Wiring	Three-conductor grounded cord from fixture to switch on wall bracket with weather-tight fitting
Ambient operating temperature	-18°C to +50°C (NS option) +5°C to +50°C (standard)
Mounting	Zinc plated steel bracket 0.53 inch (13.5 mm) mounting hole clearance
Estimated weight	42 inch arm - 30.0 lb (13.6 kg) 60 inch arm - 36.0 lb (16.3 kg)
Warranty	5 years

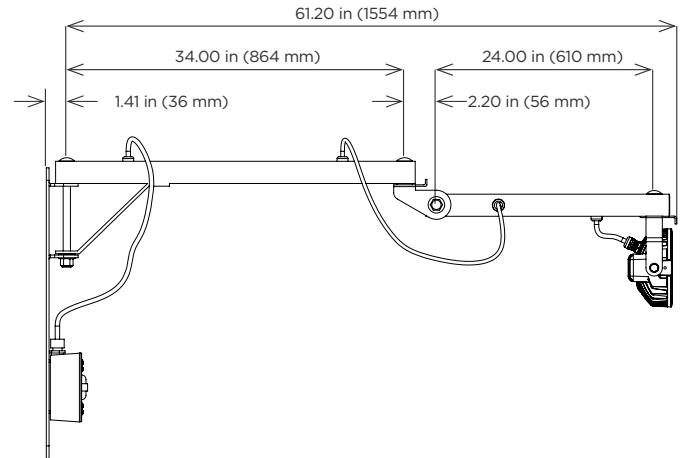
For IES files, see website or contact factory

Dimensions

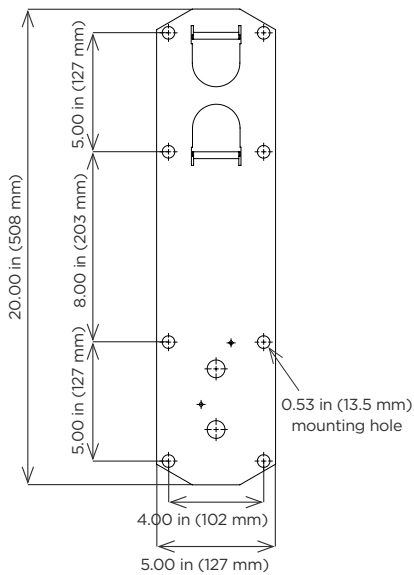
42 inch Arm



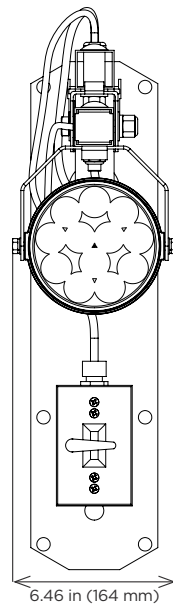
60 inch Arm



Mounting Plate



Fixture View



Ordering Information

Example: DLA2-12LED-FL-42

Fixture	LED Count	Optic	Arm Length	Options
DLA2	12LED	FL	42	NS
		SP	60	

LED Count	Optic	Arm Length	Options
12LED 12 LEDs, 19W, up to 1100 lumens	FL flood (42°)	42 42 inch arm	NS No switch on junction box
	SP spot (25°)	60 60 inch arm	

Special Projects: We may be able to accommodate your special projects, so please don't hesitate to ask about additional options. Minimum order quantities and/or extended lead times will apply. Contact your Phoenix representative with specific inquiries.