

LED Accessway Light



A highly durable walkway light that delivers up to 1300 lumens to walkways, stairways and other small areas

Superior customized optics and colored lenses

Emergency battery backup (EMB) and motion sensing options

LED technology increases efficiency, eliminates maintenance and supports green initiatives

Key Applications

Stairways
Tunnels
Accessways
Walkways & bridges
Elevator pits
Under catwalks
Deck lighting
Platforms
Emergency backup lighting

Compliances

ETL/cETL Listed (*standard fixture*) to:

- UL 1598 Suitable for Wet Locations
- UL 1598A Marine Outside Type (Saltwater)
- CSA C22.2 No. 250.0

ETL/cETL Listed (*fixture with EMB option*) to:

- UL 924
- CSA STD C22.2 No. 141

Specifications

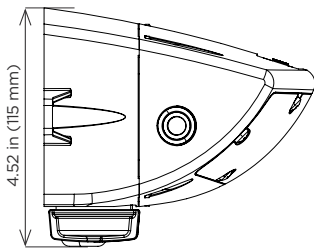
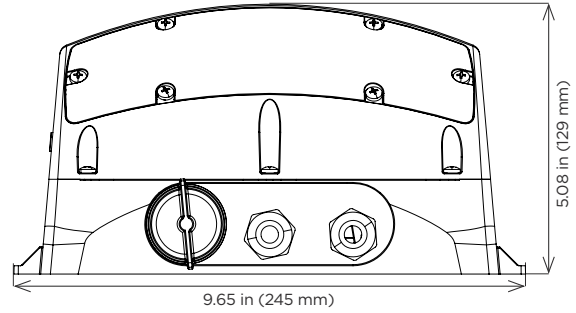
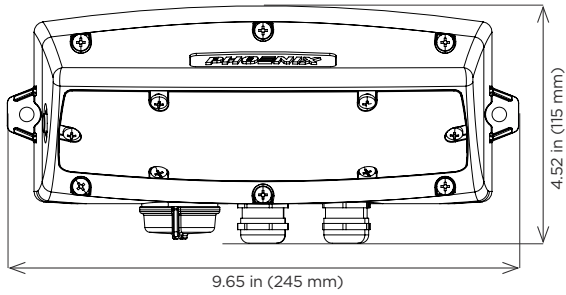
Construction	Marine-grade die-cast aluminum housing
Finish	Thermoset powder coat, passes 1000 hour exposure to salt fog (per ASTM B117)
Hardware	Marine grade (316) stainless steel
Lens	Clear polycarbonate, impact-resistant, UV resistant - standard Diffuse, red, green, and blue lenses - optional

Specifications

Light source	3.2W - 11W (field adjustable output , 4-level switch), up to 1300 lumens CRI ≥ 70 CCT 2700K, 4000K, 5000K
Driver	AC 120-277V, 50-60Hz, 0-10V dimmable
Power factor	> 0.9
THD	< 15%
Wiring	Continuous row mounting (TW) - standard 72 in (1828 mm) cord with pigtail (CD) - optional
Controls	Zhaga Book 18 receptacle, 0-10V dimmable, photocell
EMB	Input power 120-277V, 50-60Hz Up to 15 watts (charging) EMB (standard) minimum 120 minutes run time - Approximately 500 lumens EMB6HR (optional) minimum 360 minutes run time - Approximately 200 lumens
Battery	6.4V, 1800 mAh, Lithium-Ion 24 hour charge time (LiFePO4)
Ambient operating temperature	-40°C to +50°C - standard 0°C to +50°C - EMB option
Operating lifetime	L80 > 100,000 hours per TM-21
Surge protection	Standard - 4kVA / EMB - 2kVA minimum
Dimensions	9.65 × 5.08 × 4.52 inch (245 × 129 × 115 mm)
Fixture weight	Standard - 2.9 lbs (1.3 kg) EMB - 3.5 lbs (1.6 kg)
Warranty	5 years

For IES files, see website or contact factory

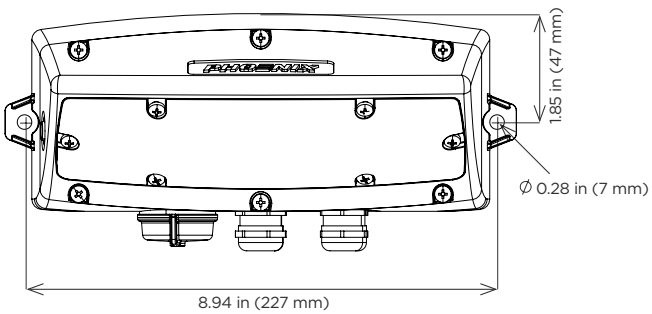
Dimensions



Mounting

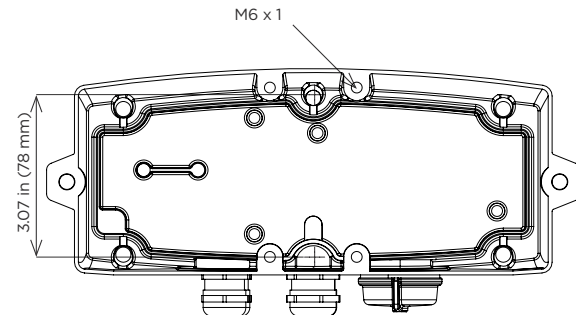
Surface Mount

Comes standard with fixture



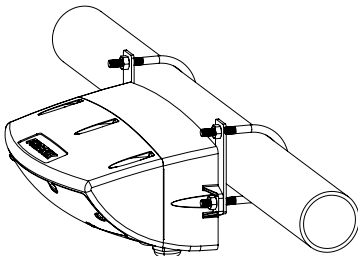
Bracket Mount

Comes standard with fixture,
4 x M6 threaded holes on
back of fixture



Rail Mount (order separately)

Attaches fixture to a 2 in O.D. pipe/railing



Ordering Information

Example: WF2-10LED-CL-50K-TW

Fixture	Wattage	Lens	CCT	Wiring	Options
WF2	10LED	CL	27K	CD	EMB
		DP ¹	40K	TW	EMBCE
		RD ¹	50K		EMB6HR
		GR ¹			
		BL ¹			

Wattage/Type	Lens	CCT
10LED up to 11W, 1300 lumens	CL Clear lens	27K 2700K CCT (contact factory)
	DP ¹ Diffuse lens	40K 4000K CCT
	RD ¹ Red lens	50K 5000K CCT
	GR ¹ Green lens	
	BL ¹ Blue lens	

Options

EMB	120 minute emergency battery backup - standard
EMBCE	120 minute emergency battery backup - CE compliant (Europe)
EMB6HR	360 minute emergency battery backup (reduced output) - optional

Wiring

CD	72 inch (1828 mm) cord with pigtail
TW	Continuous row mounting (TW) provided on all fixtures, install threaded plug (provided) when second cord grip not required

Notes:

1 Lens option with EMB does not meet UL924 standard

Special Projects: We may be able to accommodate your special projects, so please don't hesitate to ask about additional options. Minimum order quantities and/or extended lead times will apply. Contact your Phoenix representative with specific inquiries.

Accessories (order separately)

Rail Mount Kit - KIT, BRKT, RAIL, MNT, WF2

available upon request

Zhaga Book 18 Multi-function Motion and Daylighting Sensor - SNSR, ZHAGA18, 0-10V DIM

available upon request

Zhaga Book 18 Sensor Remote Programmer - RMT, CNTL, ZHAGA18

available upon request

Safety Cable

available upon request