

Explosion-proof LED Floodlight



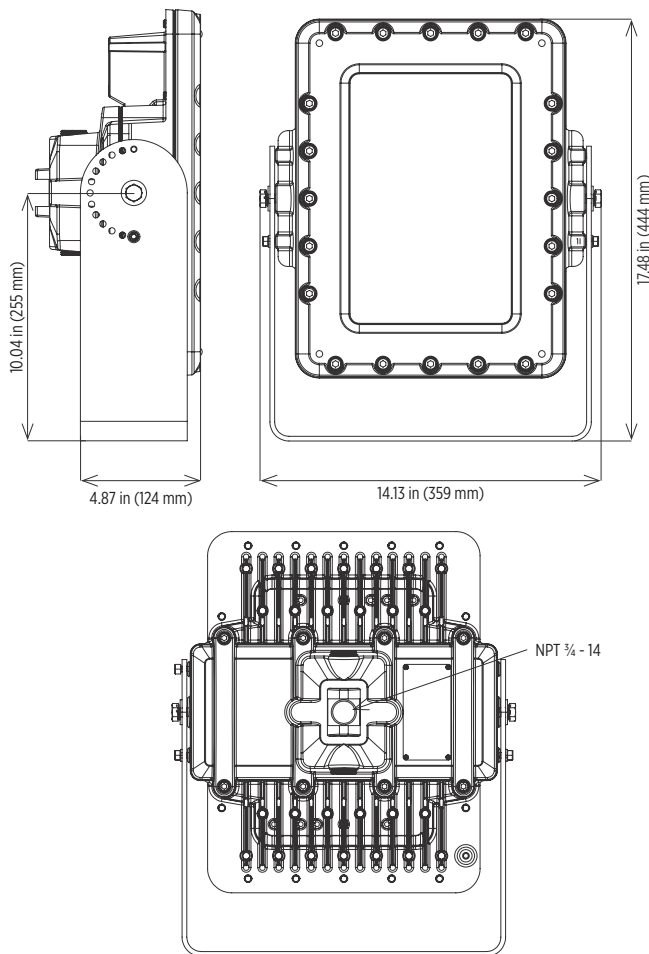
Outdoor-rated floodlight for use in a variety of hazardous locations

Provides safe illumination in Class 1, Division 1 environments

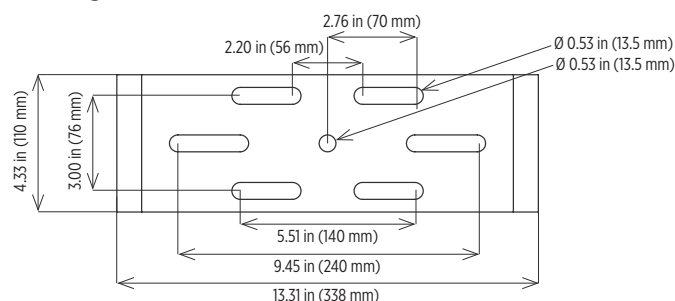
Designed to withstand the world's harshest applications

LED technology increases efficiency, eliminates maintenance and supports green initiatives

Dimensions



Mounting Bracket Dimensions



Specifications

Construction	Marine grade cast aluminum housing Adjustable mounting harp
Finish	Thermoset powder coat
Hardware	Stainless steel
Lens	0.59 in (15mm) thick, clear, tempered glass
Light source	Cree LEDs 100W, up to 14,000 lumens 165W, up to 23,500 lumens CRI ≥ 70 CCT 5000K (CW) and 4000K (NW) Other CCT options available - contact factory 100,000 hour rated life
Power source	120-277V, 50/60Hz 347-480V, 50/60Hz 1-10V dimming capability 6kV surge protection Overload, overvoltage, over-temperature, short-circuit protection
Wiring	3 x 3/4 inch NPT openings
Ambient operating temperature	-40°C to +50°C
Aiming	Aimable in 15° increments
Mounting	316 stainless steel harp or pendant mount
Weight	44.1 lb (20.0 kg)
Warranty	5 years

Contact factory for IES files

Compliances

UL/cUL Certified to:

- UL 1598 Suitable for Wet Locations
- UL 1598A Marine Outside Type (Saltwater)
- UL 844 Hazardous Locations
Class I, Division I Groups C & D
T5, 100°C maximum surface temperature
- CSA C22.2 No. 250.0, 137, 30

ABS (pending)

IP66



Defend Flood™ Series

Explosion-proof LED Floodlight



Ordering Information

Example: DFN-LO-SP-120-277-CW

Fixture	Wattage	Optic	Voltage	CCT
DFN	LO	SP	120-277	CW
	HI	FL	347-480	NW
		WF		

Wattage		Optic		Voltage		CCT	
LO	100W, up to 14,000 lumens	SP	Spot optic	120-277	120-277V, 50/60Hz	CW	Cool white (5000K)
HI	165W, up to 23,500 lumens	FL	Flood optic	347-480	347-480V, 50/60Hz	NW	Neutral white (4000K)
		WF	Wide flood optic				

Special Projects: We may be able to accommodate your special projects, so please don't hesitate to ask about additional options. Minimum order quantities and/or extended lead times will apply. Contact your Phoenix representative with specific inquiries.

Product design and specifications are subject to change without notice. The most current version of this specification sheet can be found on our website: www.phoenixlighting.com.