

! CAUTION

- All wiring should be done by a licensed electrician in accordance with state codes, local codes, and National Electric Code (NEC) standards or International Electrotechnical Commission (IEC) standards.
- Improper installation may result in serious injury and void warranty.
- Contains parts and assemblies susceptible to damage by electrostatic discharge (ESD).
- If the external flexible cable or cord of this luminaire is damaged, it shall be replaced with a cord with equivalent markings and ratings or a cord exclusively available from the manufacturer.
- The light source contained in this luminaire shall only be replaced by the manufacturer or his service agent or a similar qualified person.
- To reduce the risk of strangulation the flexible wiring connected to this luminaire shall be effectively fixed to the wall if the wiring is within arm's reach.
- Surge protective devices should be utilized for fixtures installed in environments subject to power surges outside the specified operating parameters.
- Ensure control circuits (dimming circuits) are adequately separated from primary circuits (incoming AC supply circuit) when installing control devices or control wiring.
- CAUTION To reduce the risk of ignition of hazardous atmospheres, disconnect the luminaire from the supply circuit before opening. Keep tightly closed when in operation.

Suggested Tools:

1. Battery operated screwdriver, M3 and M2.5 bits, M3 and M2.5 Allen key
2. 19MM wrench / 19MM socket and ratchet
3. Glass cleaner
4. Cleaning towels
5. Small paint scraper
6. Small trash bags
7. Wire cutters / strippers

Included in the ModCom[®] 2/ EcoMod[®] 2 LED/Optic Replacement Kit: LED/Optic module, wires, and mounting screws (6 per LO/Hi, 9 per MAX).

Installation

1. Disconnect power.
2. Open the lens cover (example below) by loosening the screws using a M3 bit. You can use an Allen key or a screwdriver. If cover is difficult to remove, use a 19MM ratchet to loosen the harps bolts.



Installation Instructions

- Remove screws from optic arrays and LED board and discard; new fasteners are provided. Remove the old optics by using a M2.5 bit to loosen the screws and throw them away.
- Cut the connections made by the clear crimps. Please notice there are 3 sizes and the wiring varies by size.
Note: DO NOT DISCONNECT GROUND LEAD

For the EM2-420/ MC2-MAX model

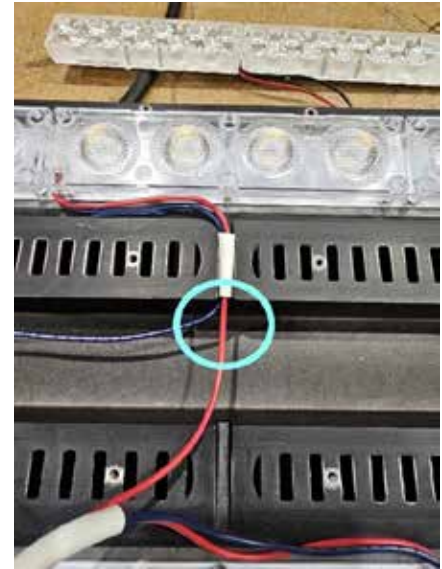
- Cut the "red and red" connection.
- Cut the "orange and blue" connection.
- Cut the "white and white" connection.
- Cut the "black and black" connection.
- Cut the wires immediately under the white rubber sleeve to ensure you have enough length to wire to the new LED boards. See figure below.

For the EM2-280/ MC2-HI model

- Cut the "white and red" connection.
- Cut the "black and black" connection.

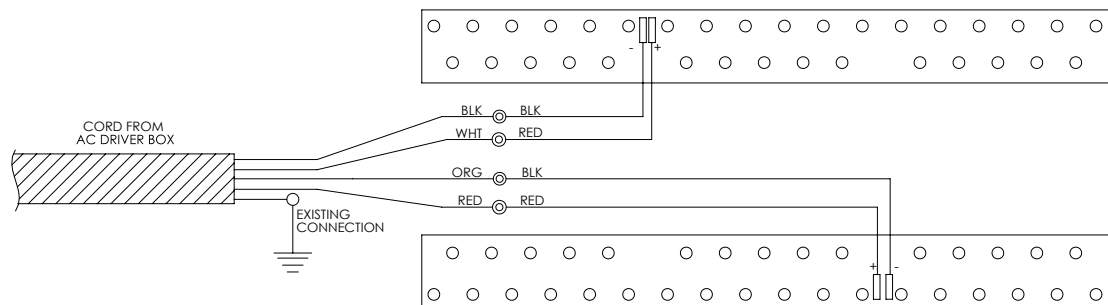
For the EM2-140/ MC2-LO model

- Cut the "white and red" connection.
- Cut the "black and black" connection.



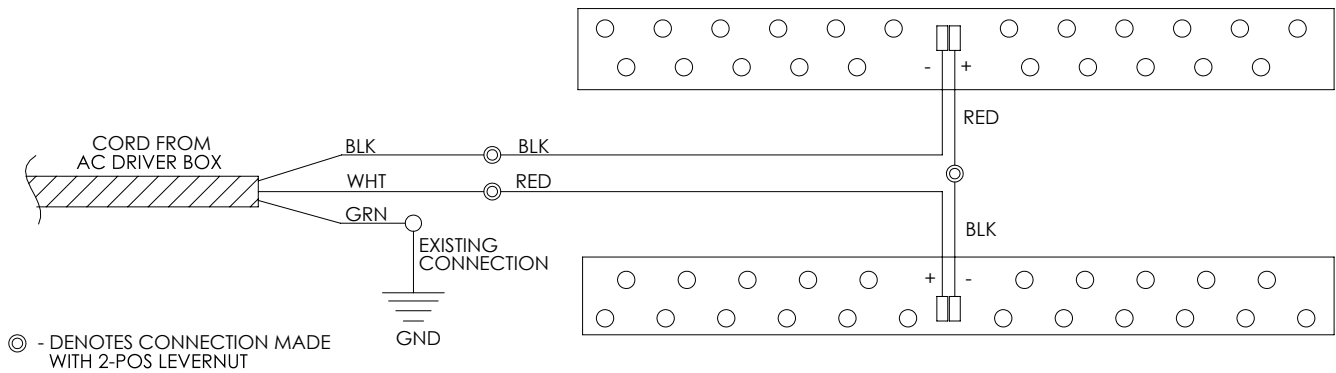
- Strip insulation from black and white leads on incoming DC cord and connect to lever nuts; verify that all wires are stripped to a minimum of 0.375 in (9.5 mm). This ensures there is sufficient contact within the lever nuts. See wiring diagrams below.

For EM2-420/ MC2-MAX models, make wire connections as shown below (Note: the circles represent lever nuts).

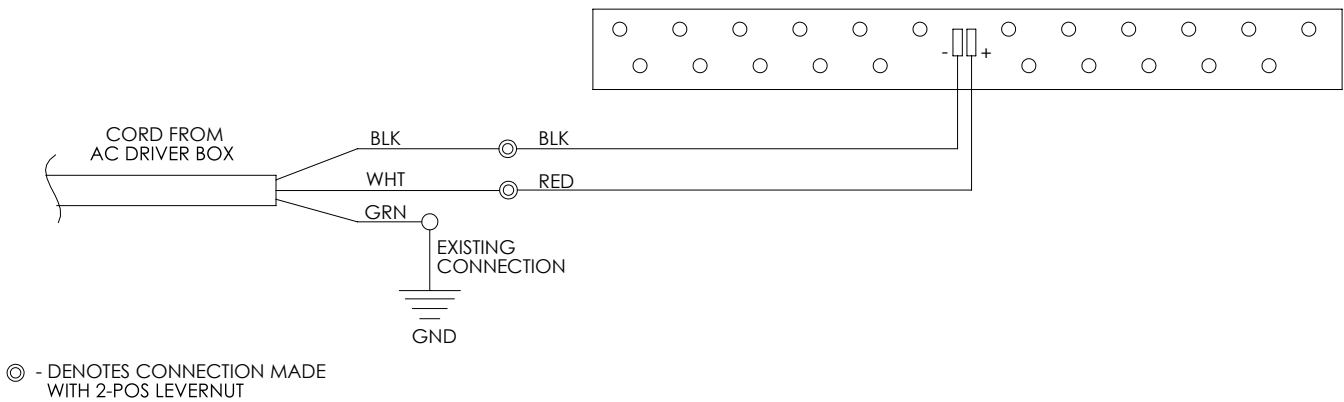


⊙ - DENOTES CONNECTION MADE WITH 2-POS LEVERNUT

For MC2-HI/ EM2-280 models, make wire connections as shown below (Note: the circles represent lever nuts).



For the MC2-LO/ EM2-140 models, make wire connections as shown below (Note: the circles represent lever nuts).



- Install new LED/ Optic module(s) in fixture housing. Remove film from LED/optic module and avoid touching this surface during installation. Ensure each LED/ Optic Module is aligned with the tapped holes in the fixture housing. Install six (6) fasteners in each LO/HI LED/ Optic module and nine (9) fasteners in each MAX LED/ Optic module. Tighten securely.



Installation Instructions

7. Tuck wires neatly into housing to ensure they are not pinched while reinstalling the LED housing cover.



8. Clean fixture lens cover to ensure any dirt/ debris are completely removed.
9. Reinstall lens cover. To ensure proper seal, use new fasteners provided and install according to according to images below based on fixture size. Note: cover screws should be installed in a cross-pattern. Each screw should be torqued to 18 inch-pounds.

For the EM2-140/ MC2-LO models:



For the EM2-280/ MC2-HI models:



Installation Instructions

For EM2-420/ MC2-MAX models:



10. Ensure all cord grips are in good condition and tighten appropriately.
11. Connect fixture to power.

Maintenance

Periodic maintenance and cleaning is required to keep light fixture in peak operating condition. Buildup of dirt, salt and/or debris will diminish performance, lead to premature failure and void the fixture's warranty.

1. Inspect fixture monthly or (more frequently if conditions require) for dirt, salt and debris buildup on lenses and between fins of heatsink. Wash down with water as needed.
2. Regularly inspect fasteners and verify conduit fittings are sufficiently tight. Retighten as needed.

Product design and specifications are subject to change without notice.