

## High Performance LED Large Area Floodlight

Designed for superior high mast or perimeter lighting

Mounts to any new or existing ring or crossarm

Exceptional output for effective long-distance lighting

Unmatched efficiency with maximum glare control

LED technology increases efficiency, eliminates maintenance and supports green initiatives



### Key Applications

Large area lighting  
Perimeter lighting  
Sports fields  
Prisons & correctional facilities  
Ports & intermodal terminals  
Military bases  
Commercial & military airports  
Universities  
Parking lots

### Compliances

UL/cUL Listed to:

- UL 1598 Suitable for Wet Locations
- Complies with CSA C22.2 No. 250.0 and No. 250.13

DLC

IP66

### Specifications

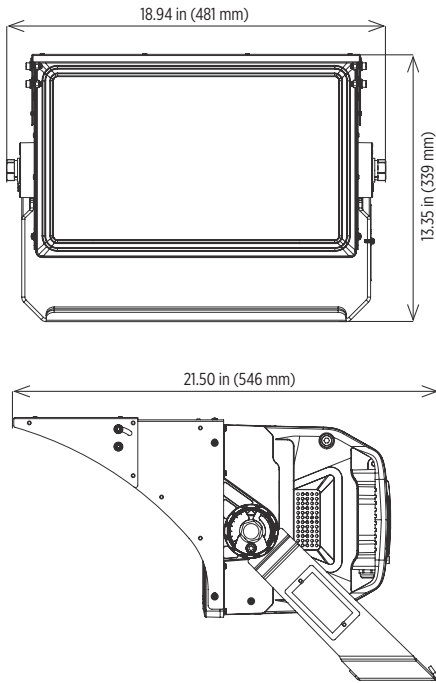
<b>Construction</b>	Heavy-duty die-cast aluminum housing
<b>Finish</b>	Gray powder coat
<b>Lens</b>	Advanced free-form optics with multi-scale lenses
<b>Light source</b>	630W and 85,000 lumens - standard CCT 4000K and 5700K CRI>70 Dimmable (0-10V)
<b>Lifetime</b>	120,000 hours at 25°C (L70)
<b>Power source</b>	120-277V, 50-60Hz 200-480V, 50-60Hz
<b>Surge protection</b>	10kA ultra low EMI (integral)
<b>Wiring</b>	½ inch cable gland optional power cord
<b>Visor</b>	Visor (V) - standard Extended visor (EV)
<b>EPA (wind load)</b>	1.40 sq. ft.
<b>Ambient operating temperature</b>	-40°C to +55°C
<b>Aiming</b>	Horizontal and vertical rotation
<b>Weight</b>	32 lbs (14.5 kg) / 64 lbs (29 kg)
<b>Warranty</b>	5 year - standard Extended warranty options available

For IES files, see website or contact factory

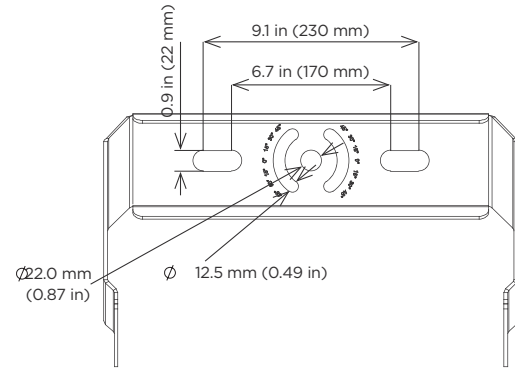
# CLIR™ Series

High Performance LED Large Area Floodlight

## Dimensions



### Mounting Bracket



## Ordering Information

**Example:** PL-CLIR-630-NARROW-200-480-4000-V

Fixture	Wattage	Optics	Voltage	CCT	Visor
PL-CLIR	630	NARROW	120-277	4000	V <sup>1</sup>
		MEDIUM	200-480	5700	EV

### Wattage

630 630W and 85000 lumens

### Optics

NARROW Narrow optic  
MEDIUM Medium optic

### Voltage

120-277 120-277V, 50-60Hz  
200-480 200-480V, 50-60Hz

### CCT

4000 4000K  
5700 5700K

### Visor

V<sup>1</sup> Visor - standard  
EV Extended visor - 20 inch deep

### Notes

1 Indicates standard option for fast delivery

**Special Projects:** We may be able to accommodate your special projects, so please don't hesitate to ask about additional options. Minimum order quantities and/or extended lead times will apply. Contact your Phoenix representative with specific inquiries.

Product design and specifications are subject to change without notice. The most current version of this specification sheet can be found at [www.phoenixlighting.com](http://www.phoenixlighting.com).