

**! CAUTION**

- All wiring should be done by a licensed electrician in accordance with state codes, local codes, and National Electrical Code (NEC) or International Electric Commission (IEC) standards.
- Improper installation may result in serious injury and void warranty.
- Contains parts and assemblies susceptible to damage by electrostatic discharge (ESD).
- Surge protective devices should be utilized for fixtures installed in environments subject to power surges outside the specified operating parameters.

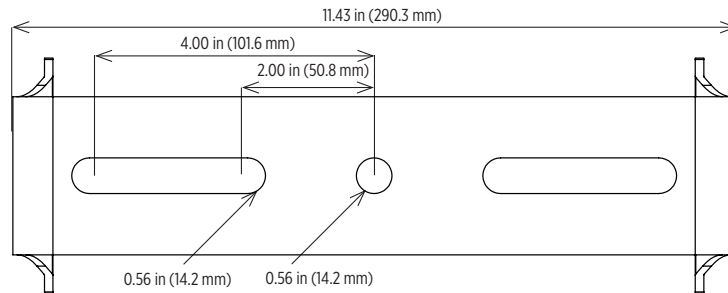
**Mounting**

Fasten fixture with 3 x ½ inch (M12) bolts (not provided) through center hole and slots in harp assembly to a recommended torque of 45 lb-ft. Use mounting dimensions shown in Figure 1. Attach near corner supports or use adequate subbase for the weight of the fixture.

**Figure 1: Dimensions for Standard Mounting Brackets**

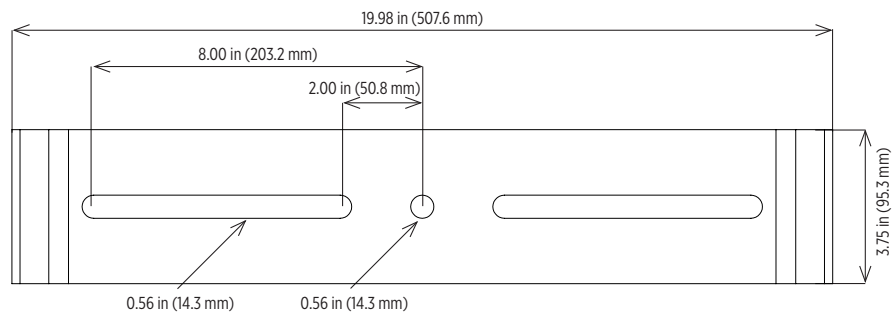
**Command Flood 125-V2**

Fixture weight: 17.4 lbs (7.9 kg)



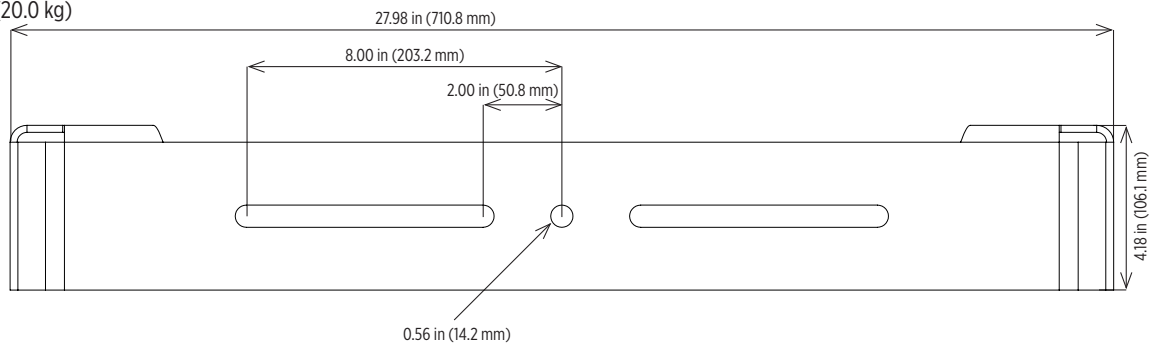
**Command Flood 250**

Fixture weight: 31.4 lb (14.2 kg)



**Command Flood 375**

Fixture weight: 44.2 lb (20.0 kg)

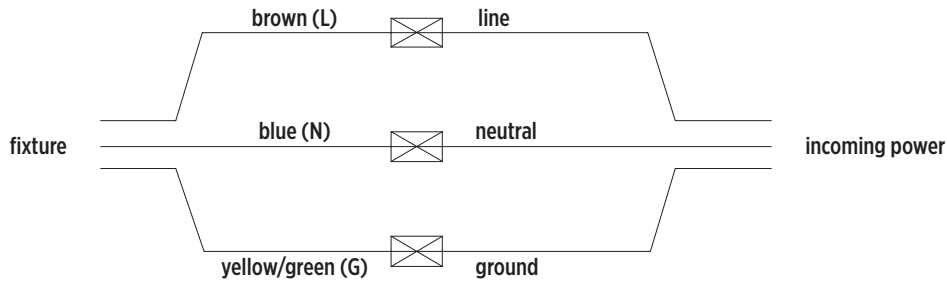


### Wiring

#### Power Supply Cable

Command Flood with (-CD) option is supplied with a 72.00 inch (1,829 mm) cord SOOW/H07RN-F or equivalent. Cord should be connected per the diagram (Figure 2) in the water tight junction box (Figure 3).

Figure 2



#### JBOX Option (No Cable Supplied)

If fixture is provided with open cord grips and no incoming power cord, the fixture is set up for through (continuous row) wiring. Supply cord should be SOOW/H07RN-F or equivalent and be ¼ to 7/16 inch for use with standard supplied cord grips.

1. Open junction box cover. If through wire option is desired, loosen cord grip and remove plug.
2. Run incoming power cord through open cord grip. Cord jacket should be visible inside box.
3. Tighten cord grip - hand tight plus ¼ turn. Verify cord grip is tight by pulling on the cord. It should not move.
4. Repeat for outgoing cord if using through wire option.
5. Connect wires to the terminals provided (see Figure 3).
6. Replace cover. Tighten screws to 15 lb-in (see Figure 4).

Figure 3

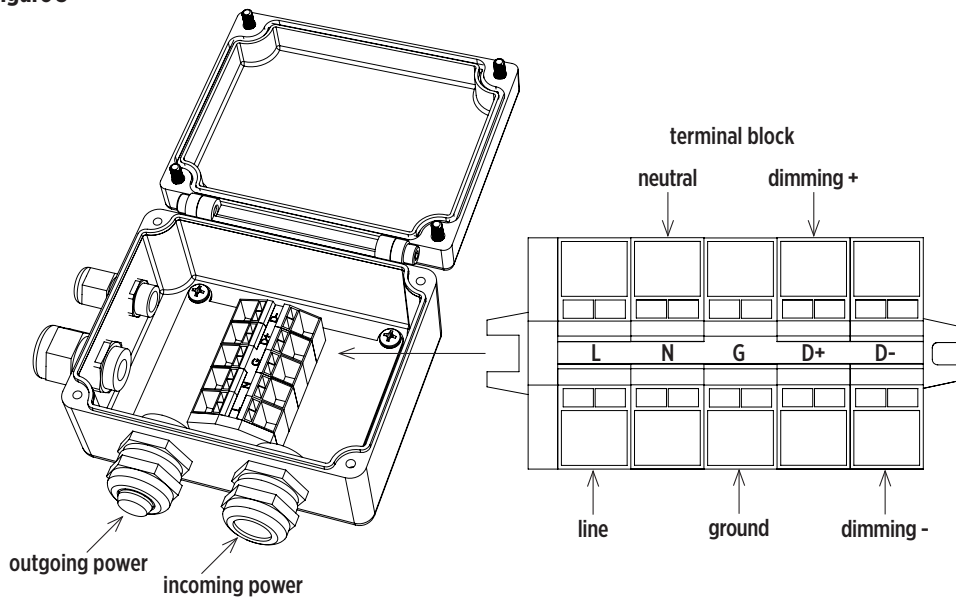
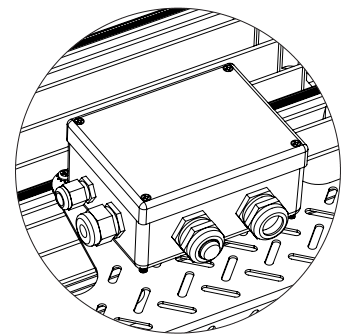


Figure 4



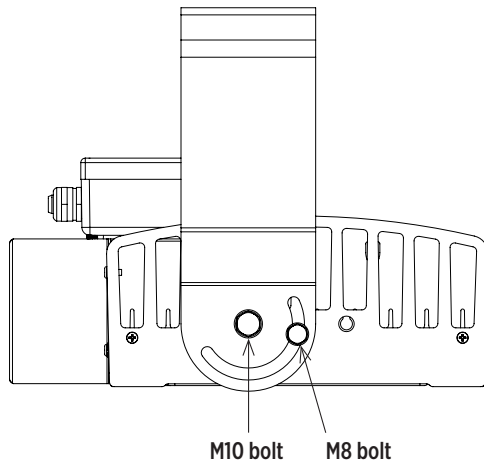
## Aiming

All Command Flood™ fixtures are equipped with aiming slots.

To aim:

1. Loosen the M10 center bolt and the M8 aiming bolt on each side of the harp.
2. Adjust fixture to the desired angle and securely re-tighten M10 bolts and M8 bolts.

**Figure 5**



3. Once aligned, retighten M10 bolts to 30 lb-ft (40 Nm) minimum and the M8 bolts to 18.5 lb-ft (25 Nm) minimum.

## Safety Cable Installation

*Phoenix strongly suggests using a safety cable when installing Command Flood™ fixtures.*

1. Locate a sturdy support structure for the safety cable. Please keep in mind that the safety cable is 60.00 inches (1524 mm) long and must be able to loop around a sturdy bar or bracket on the support structure.
2. Take the loop end (see Figure 6) of the cable and wrap it around the bar/bracket on the support structure.
3. Take the eyelet end (see Figure 6) and insert into the loop, pulling it until tight.
4. Place lock washer and flat washer on bolt, then insert bolt into hole of eyelet. Fasten bolt to the tapped hole provided in the housing, and torque to 70 to 80 lb-in.



Figure 6

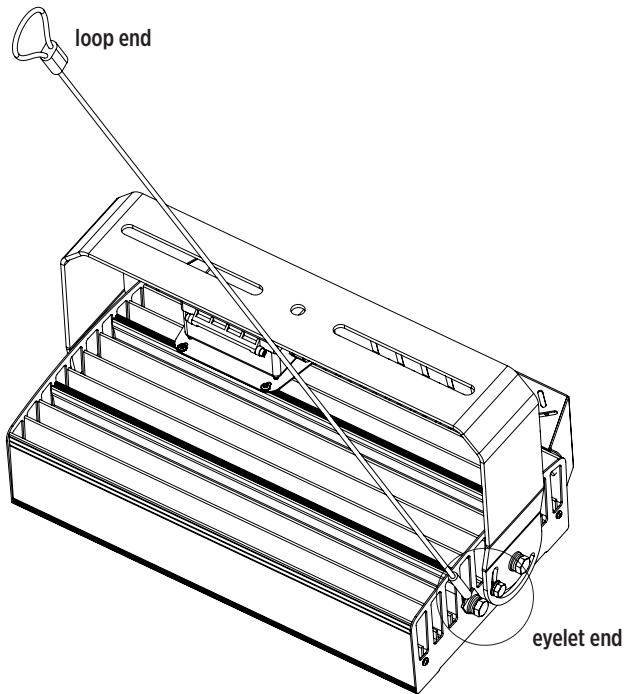
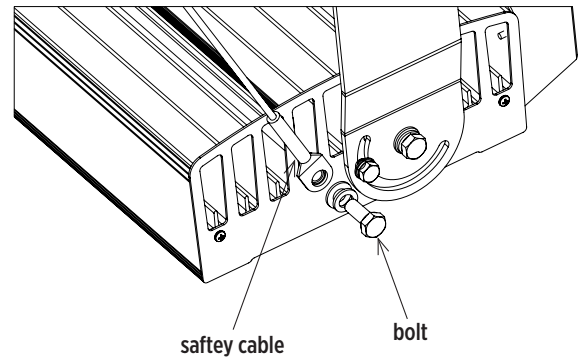


Figure 7



## Maintenance

Periodic maintenance and cleaning is required to keep light fixture in peak operating condition. Buildup of dirt and/or debris will diminish performance, lead to premature failure and will void the fixture's warranty.

1. Inspect fixture monthly for buildup of dirt and debris on lenses and between fins of heatsink. Wash fixture and/or components with water as needed.
2. Inspect fasteners and verify cord grips are tight. Retighten as needed.  
**Note:** Cord grips should be hand tight plus ¼ turn.
3. LED PCB light source of the luminaire is not replaceable; when the LEDs reach end of life, it must be replaced by a complete luminaire.
4. If the external flexible cable or cord of this luminaire is damaged, it shall be exclusively replaced by the manufacturer of his service agent or a similar qualified person in order to avoid a hazard.

## Repair Parts List

Description	Part Number
CF-125 120-277V Driver Kit	TBD
CF-125 277-480V Driver Kit	TBD
CF-250 120-277V Driver Kit	1002482
CF-250 277-480V Driver Kit	1002483
CF-375 120-277V Driver Kit (2 drivers included in kit)	1002484
CF-375 277-480V Driver Kit (2 drivers included in kit)	1002485