

HAZARDOUS INDUSTRIAL AREA LIGHTING

Soar® Series HIGH-MAST LED AREA LIGHT

This high-output, high-mast LED area light delivers up to 140,000 lumens making it the ideal solution to illuminate large outdoor spaces in ports, airports, and industrial yards.

Key Specifications

- **Voltage:** 120-277VAC; 277-480VAC
- **Input Power:** 630W; 960W
- **Lumens:** 105,000; 140,000
- **CCT:** 5000K; 4000K; 2700K



Guard Pro™ Series HAZARDOUS RATED LED LOW-BAY & HIGH-BAY

Unleash up to 52,000 lumens of light in C1D2, C2D1, C2D2, and C3 environments. It's robust, IP66-sealed construction shrugs off corrosive vapors, high-pressure washdowns, dust and debris.

Key Specifications

- **Voltages:** 120-277VAC; 277-480VAC
- **Input Power:** 20W, 40W, 60W, 100W, 150W, 200W, 300W, 350W, 400W
- **Lumens:** 2,600; 5,200; 7,800; 13,000; 19,500; 26,000; 39,000; 45,000; 52,000
- **CCT:** 5000K; 4000K; 3000K; Amber



Highland® Series HIGH-MAST LED AREA LIGHT

This versatile high-mast LED area light offers a variety of optics, lumen outputs, and mounting options to illuminate large outdoor areas to enhance productivity, safety, and security.

Key Specifications

- **Voltage:** 120-277VAC; 277-480VAC
- **Input Power:** 265W; 530W
- **Lumens:** 40,000; 80,000
- **CCT:** 5000K; 4000K; 3000K



ModCom® 3 Series HAZARDOUS-RATED LED FLOODLIGHT

Heavy-duty, UL-844 hazardous-rated floodlight engineered to withstand excessive impact, vibration, and saltwater environments. Ideal for industrial, marine, and mining environments.

Key Specifications

- **Voltages:** 120-277VAC; 277-480VAC
- **Input Power:** 121W; 231W; 438W
- **Lumens:** 15,000; 30,000; 52,500
- **CCT:** 5000K; 4000K; Amber

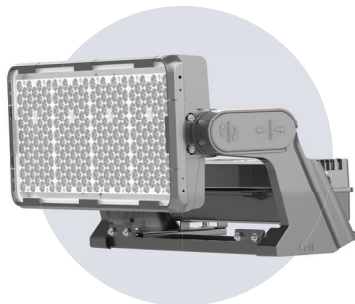


Apex™ Series HIGH-MAST LED FIXTURE

A high-performance LED area light that delivers up to 138,000 lumens with advanced glare control and dimming options, making it the perfect choice to illuminate large, expansive areas where significant light coverage is needed.

Key Specifications

- **Voltages:** 120-277VAC; 277-480VAC
- **Input Power:** 600W; 1,000W
- **Lumens:** 85,000; 138,000
- **CCT:** 5700K; 5000K; 4000K; 2700K



EcoMod® Series HEAVY-DUTY LED FLOODLIGHT

Rugged floodlight expertly engineered with durable, marine-grade components and various optic optics. Designed to withstand significant vibration and harsh external environments.

Key Specifications

- **Voltage:** 120-277VAC; 277-480VAC
- **Input Power:** 121W; 231W; 438W
- **Lumens:** 15,000; 30,000; 52,500
- **CCT:** 5000K; 4000K; 2700K



Defend Flood™ 2 Series

HAZARDOUS-RATED LED FLOODLIGHT

This UL844 Class I, Division 1 explosion-proof floodlight offers a range of voltage, lumen, and mounting options, delivering reliable illuminations across many uses in demanding industrial settings. Available in two constructions: Defend Flood LO or HI.



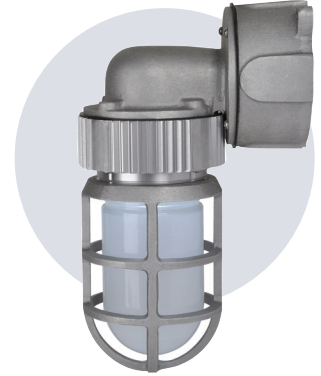
Key Specifications

- **Voltages:** 120-277VAC; 277-480VAC
- **Input Power:** 40W; 60W; 100W; 200W
- **Lumens:** 5,600; 8,400; 14,000; 28,000
- **CCT:** 5000K; 4000K; 3000K

LED VP Series

HAZARDOUS-RATED, VAPORPROOF LED FIXTURE

This popular vaporproof Jelly Jar fixture is UL844 hazardous-rated and ABS certified making it ideal for walkway, doorway, and perimeter lighting within industrial and marine settings. Available in aluminum or brass.



Key Specifications

- **Voltages:** 120-277VAC; 24VDC option
- **Input Power:** 17W
- **Lumens:** Up to 1,900
- **CCT:** 5000K; 3000K

Command Flood® Series

HAZARDOUS-RATED LED FLOODLIGHT

UL844 Class I, Division 2 hazardous-rated LED floodlight delivers 18,500-48,000 lumens with versatile voltage and mounting options. Available in three constructions: Command Flood 150, 250, or 375.



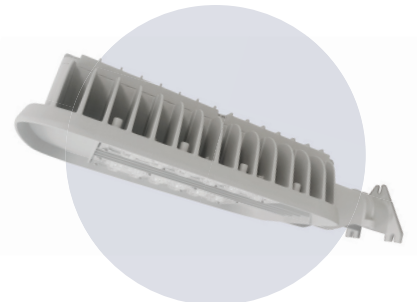
Key Specifications

- **Voltages:** 120-277VAC; 277-480VAC
- **Input Power:** 145W; 240W; 360W
- **Lumens:** 18,500; 32,000; 48,000
- **CCT:** 5000K; 4000K; 2700K

CVO 2

HAZARDOUS-RATED, FIELD-ADJUSTABLE LED AREA LIGHT

This flexible LED area is UL844 hazardous-rated and field-adjustable delivering up to 11,000 lumens at 75W with versatile voltage and mounting options.



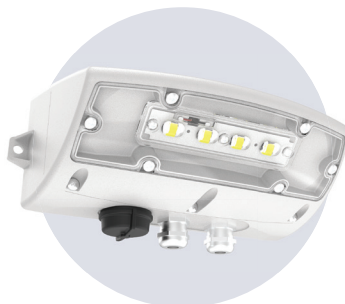
Key Specifications

- **Voltages:** 120-277VAC; 277-480VAC
- **Input Power:** Field-adjustable output up to 75W
- **Lumens:** 6,500; 8,000; 11,000
- **CCT:** 5000K; 2200K; Amber

Wayfinder™ 2

ACCESSWAY LED FIXTURE

This accessway fixture delivers up to 1,300 lumens with wide beam light coverage, field-adjustable output and motion sensor compatibility, making it ideal for walkways, catwalks, and high-traffic pedestrian foot traffic areas. Available with clear, diffuse, red, green, or blue lens options.



Key Specifications

- **Voltages:** 120-277VAC
- **Input Power:** Field adjustable output up to 11W
- **Lumens:** Up to 1,300
- **CCT:** 5000K; 4000K; 2700K

Cube-Light

COMPACT LED AREA LIGHT

This compact LED area light has a small installation footprint while delivering up to 1,000 lumens with versatile mounting options for illuminating walkways, accessways, and doorways. Available with red, amber, green or blue lens accessory.



Key Specifications

- **Voltages:** 120-240VAC; 12-24VDC
- **Input Power:** 13W
- **Lumens:** 1,000
- **CCT:** 5000K