



# SafeX™ Lighting System

Intrinsically Safe LED Lighting

**PRE-RELEASE COPY**

Safest solution available for underground mining

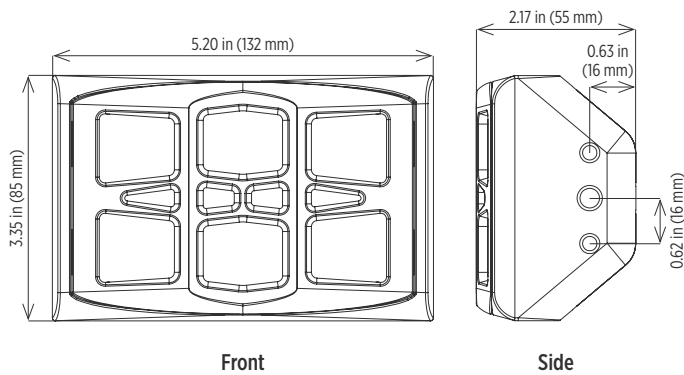
Durable and compact intrinsically safe lighting system

Various color, strobing and beam angle options

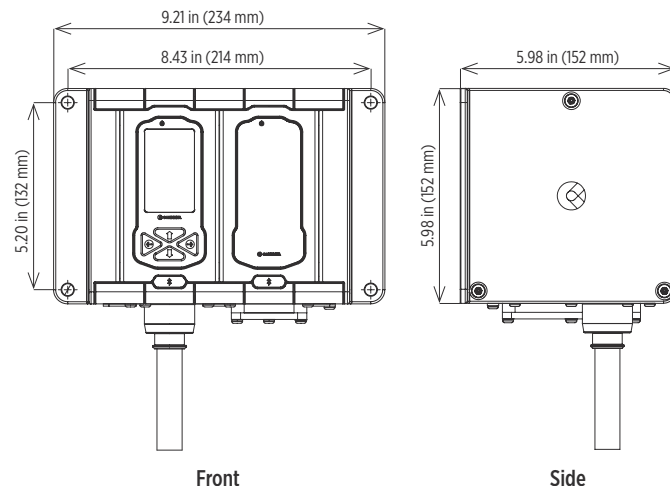
LED technology increases efficiency, eliminates maintenance and supports green initiatives

## Dimensions

### Fixture



### Power Module



## Specifications

<b>Construction</b>	Fixture - cast stainless steel housing Power supply module - stainless steel housing
<b>Hardware</b>	Stainless steel
<b>Lens</b>	Impact-resistant polycarbonate Spot (SP) and flood (FL) optics
<b>Light source</b>	Light emitting diodes (LED) 12W Up to 1200 effective lumens per fixture Cool white (CW), neutral white (NW) and warm white (WW) CCT options Blue (BLU), green (GRN), red (RED) and yellow (YLW) color LED options Ability to switch between high and low beams Three independent lighting circuits in each fixture 50,000 hour rated life
<b>Power supply module</b>	12V Capable of powering six SafeX lighting fixtures at full capacity Capable of connecting up to eight SafeX lighting fixtures Integrated HMI graphical display with keypad Programmable using Bluetooth application Includes factory hourmeter and user hourmeter
<b>Wiring Harness</b>	Contact factory for options: Stainless steel braid Stainless steel braid over nylon tubing Stainless steel flexible conduit Molded connector with or without additional protection
<b>Ambient operating temperature</b>	-20°C to +60°C
<b>Mounting</b>	316SS Surface Mount accessory (SM) 316SS Panel Mount accessory (PM)
<b>Estimated weight</b>	Fixture - 3 lb (1.5 kg) Power supply module - 22 lb (10.0 kg) Wiring harness - 4 lb (1.8 kg)
<b>Warranty</b>	1 year

## Designed to Meet

IECEX

For IECEX certification, a complete lighting system (light fixtures, power supply module and wiring harness) must be installed.

IP66 (power supply module)

IP67 (fixture)



# SafeX™ Lighting System

Intrinsically Safe LED Lighting

**PHOENIX**<sup>®</sup>  
DURABILITY X DESIGN™

in partnership with  
**CONNEXA**

## Ordering Information<sup>4</sup>

### Light Fixture

Example: SX-SP-CW-AP

Fixture	Optic	LEDs <sup>3</sup>	Strobing
SX	SP	CW	AP <sup>1</sup>
	FL	NW	IN <sup>2</sup>
		WW	
		BLU	
		GRN	
		RED	
		YLW	

Optic	LEDs <sup>3</sup>	Strobing	Notes
SP Spot	CW Cool white (5000K)	AP <sup>1</sup> Anti-phase strobing	1 Outside LED strings turn on and off in opposite sequence
FL Flood	NW Neutral white (4000K)	IN <sup>2</sup> Independent strobing	2 Single LED string turns on and off with no dependency on other LED strings
	WW Warm white (2700K)		3 A single light fixture can have multiple color LEDs. Contact factory for options.
	BLU Blue		
	GRN Green		
	RED Red		
	YLW Yellow		

### Power Supply Module

Example: SXPM-3M

Module	Cable Length
SXPM	3M
	4M
	5M

### Cable Length

3M	3 meter cable
4M	4 meter cable
5M	5 meter cable

### Wiring Harness

Contact factory for customized solution.

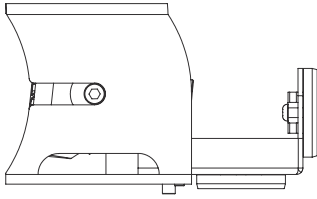
### Notes

<sup>4</sup> For IECEx certification, a complete lighting system (light fixtures, power supply module and wiring harness) must be installed.

**Special Projects:** We may be able to accommodate your special projects, so please don't hesitate to ask about additional options. Minimum order quantities and/or extended lead times will apply. Contact your Phoenix representative with specific inquiries.

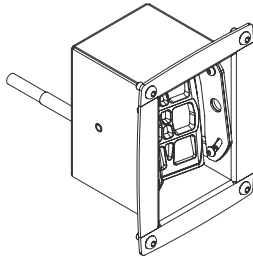
## Accessories (order separately)

---



**316 SS Surface Mount**

SM-SX



**316 SS Panel Mount**

PM-SX



# SafeX™ Lighting System

Intrinsically Safe LED Lighting

**PHOENIX**<sup>®</sup>  
DURABILITY X DESIGN™



Product design and specifications are subject to change without notice. The most current version of this specification sheet can be found on our website: [www.phoenixlighting.com](http://www.phoenixlighting.com).



Phoenix Lighting 8711 West Port Avenue Milwaukee, WI 53224 USA  
Phone: +1 414.973.3300 Toll Free: 800.438.1214 Fax: +1 414.973.3210 [www.phoenixlighting.com](http://www.phoenixlighting.com)

**N5500000B**  
09.19.16