

Explosion-proof fluorescent fixture UL rated for hazardous and wet locations

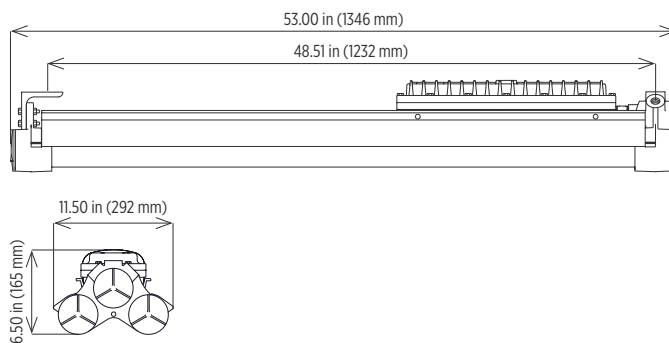
Marine grade components for superior corrosion resistance

For use in chemical plants, drilling rigs, refineries and paint spray booths

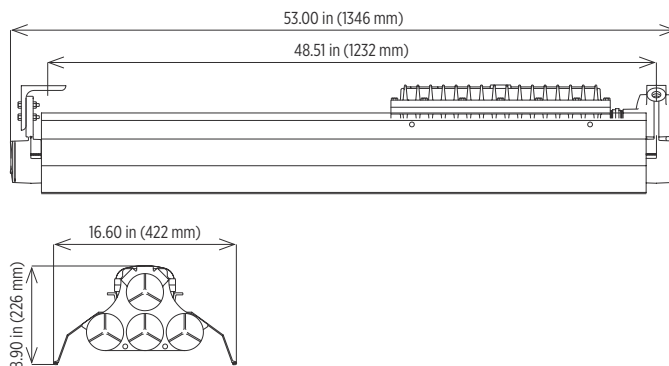
Available with two, three or four lamps

Dimensions

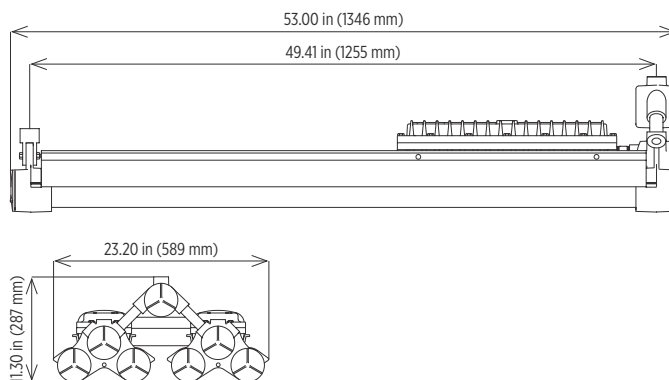
Two lamps



Three lamps



Four lamps



Specifications

| | |
|--------------------------------------|---|
| Construction | Copper-free aluminum housing Factory sealed and pre-lamped Heavy gauged extruded aluminum reflective hood Threaded cast end caps |
| Light source | 32W - F32T8/SP41 54W - F54/T5HO/4K Lamps included |
| Power source | 120-277V, 50/60Hz Thermally protected (Class P) cold-weather rated ballast |
| Ambient operating temperature | 40°C maximum |
| Mounting | Mounting accessories sold separately Contact factory for mounting options Shock mount kit (SMK) Wall/ceiling mount kit (WCMK) |
| Weight | Packaged: Two lamps - 65.0 lb (29.5 kg) Three lamps - 85.0 lb (38.6 kg) Four lamps - 138.0 lb (62.6 kg) |
| Warranty | 1 year |

Contact factory for IES files

Compliances

UL/cUL Certified to:

- UL 1598A Marine Outside Type (Saltwater)
- UL 844 Hazardous Location
 - Class I, Division 1 Groups C, D
 - Class I, Division 2 Groups C, D
 - Class II, Division 1 Groups E, F, G
 - Class III - suitable for locations having deposit of readily combustible paint residues



LFXR Series

Explosion-proof Fluorescent

PHOENIX[®]
DURABILITY X DESIGN™

Ordering Information

Example: LFXR-2-32-UNIV

| Fixture | Lamps | Wattage/Type | Voltage | Options |
|---------|-------|--------------|---------|------------------|
| LFXR | 2 | 32 | UNIV | EMB ¹ |
| | 3 | 54 | | |
| | 4 | | | |

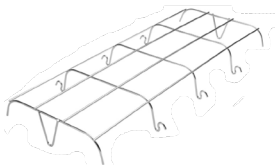
| Lamps | Wattage/Type | Voltage | Options |
|---------------|---------------|------------------------|---|
| 2 Two lamps | 32 F32T8/SP41 | UNIV 120-277V, 50/60Hz | EMB ¹ Emergency battery backup |
| 3 Three lamps | 54 F54T5/HO | | |
| 4 Four lamps | | | |

Notes

- 1 Emergency battery backup (EMB) available with 32W only

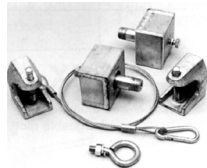
Special Projects: We may be able to accommodate your special projects, so please don't hesitate to ask about additional options. Minimum order quantities and/or extended lead times will apply. Contact your Phoenix representative with specific inquiries.

Accessories (field installation)



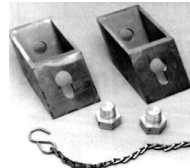
4 Foot Wire Lens Guard (per two lamps)

WG-R2L



Shock Mount Kit

SMK (for 2 lamp fixtures only)



Wall/Ceiling Mount Kit

WCMK (for 2 lamp fixtures only)

T Rating (Maximum Surface Temperature)

| | Max. Operating Temperature (°C) |
|-------------------------------------|---------------------------------|
| Class I, Division 1 Groups C, D | 85 (T6) |
| Class I, Division 2 Groups C, D | 85 (T6) |
| Class II, Division 1 Groups E, F, G | 85 (T6) |
| Class III | 85 (T6) |
| Simultaneous Presence C1 & C2 | 85 (T6) |



Meets the requirements of the
Buy American Act (BAA) and/or the
American Recovery and Reinvestment Act (ARRA)

Product design and specifications are subject to change without notice. The most current version of this specification sheet can be found on our website: www.phoenixlighting.com.