



PHOENIX[®]
DURABILITY X DESIGN™



ModCom[®] Lo

Modular LED Floodlight

US Design Patent No. US D693,507; D736,982
Australian Design No. 346288

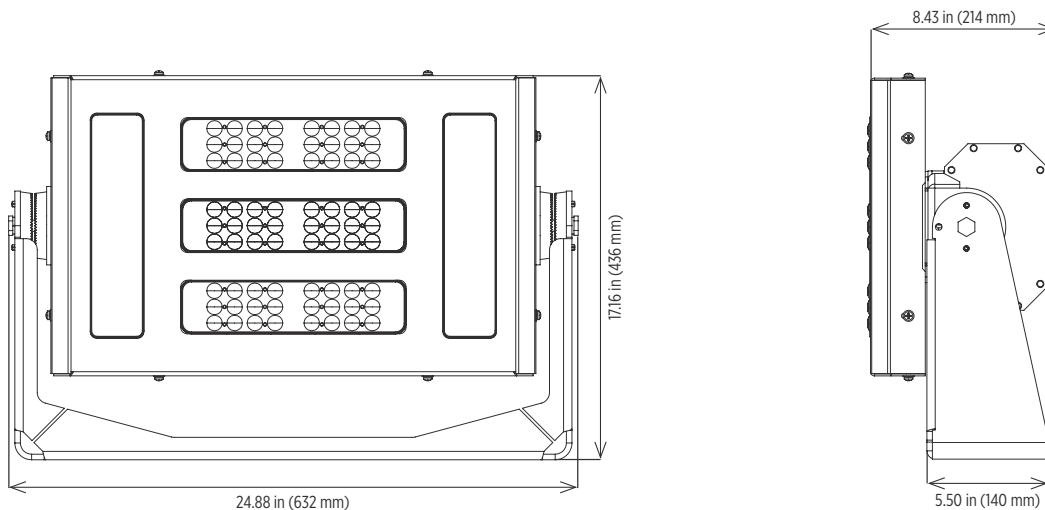
150W design delivers 11,500 lumens and replaces 400W HID fixtures

Optic options for maximum versatility

Expertly engineered with durable, marine grade components

LED technology increases efficiency, eliminates maintenance and supports green initiatives

Dimensions



Specifications

Construction	Marine grade aluminum frame, LED module, driver housing and cover
Finish	White thermoset powder coat
Hardware	Marine grade (316) stainless steel
Lens	UV- and impact-resistant polycarbonate lens
Light source	Lumiled light emitting diodes (LED) modules 150W, up to 11,500 lumens (fixture) CRI > 70 CCT 5400K 50,000 hour rated life Conformal coated circuit boards Replaceable Cool white - standard Neutral white, warm white and amber options - contact factory
Power source	Premium brand: 120-277V, 50-60Hz Can accept 127-431V DC Overload, over-voltage, over-temperature and short-circuit protection Designed to meet EMC standard Replaceable, fully potted
Power factor	> 0.98 (at 115V)
Surge protection	10kV (10kA) Dissipates 270 joules at 120-277V
Wiring	Stranded wires External sleeved wires
Ambient operating temperature	-40°C to +50°C (non-hazardous locations) -30°C to +40°C (hazardous locations) Designed for use in areas allowing air flow Higher ambient temperature models available - contact factory
Aiming	Lockable aiming washers position fixture in 5° increments Rotates 360°, 16° lateral adjustment
Mounting	Adjustable steel harp
Weight	Fixture: 55.0 lb (25.0 kg) Packaged: 70.0 lb (31.8 kg)
Carton size	32.00 in x 19.00 in x 11.00 in (812 mm x 482 mm x 279 mm)
Safety cable	Safety cable included
Warranty	5 years

Compliances

ETL/cETL Certified to:

- UL 1598 Ordinary Wet Locations
- UL 1598A Marine Outside Type (Saltwater)
- UL 844 Hazardous Location
 - Class I, Division 2 Groups A, B, C, D
 - Class II, Division 2 Groups F & G
 - Class III
- T6, 85°C maximum surface temperature
- CSA C22.2 No. 250.0

CB/CE

SAA Approval AS/NZS 60598.2.5

DLC - contact factory for details

ABS

IP67 rated

LM79 and LM80 reports available

Ordering Information

Example: MCL-5-EZ-U-120-277

Fixture	No. of Modules	Model	Distribution	Voltage
MCL	5	EZ	U R Q	120-277 ¹

Distribution

U Perimeter light (shovel light)
R 50°
Q Medium floodlight

Voltage

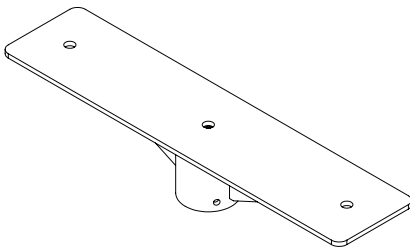
120-277¹ 120-277V, 50-60Hz

Notes

1 Can accept 127-431V DC (not ETL/cETL Certified)

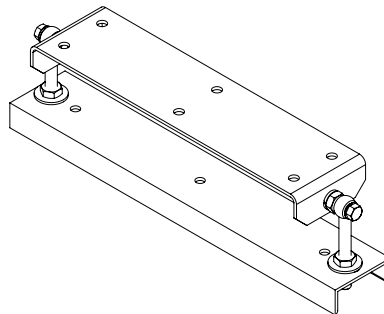
Special Projects: We may be able to accommodate your special projects, so please don't hesitate to ask about additional options. Minimum order quantities and/or extended lead times will apply. Contact your Phoenix representative with specific inquiries.

Accessories (field installed, order separately)



2 3/8 inch Tenon Mount

MCPTM



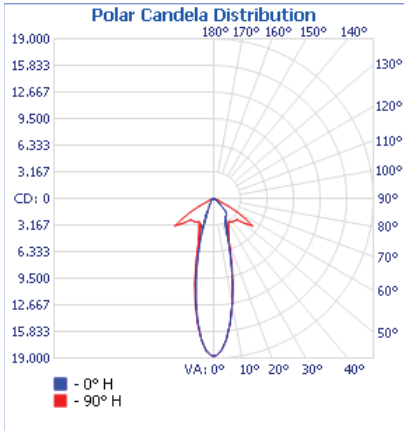
Boom Mount Kit

BMKM



Photometrics

U – Perimeter Light (Shovel Light)



Cover photo: ModCom Lo fixture shown on an electric rope shovel

Product design and specifications are subject to change without notice. The most current version of this specification sheet can be found on our website: www.phoenixlighting.com.

