



PHOENIX[®]
DURABILITY X DESIGN™



ARIES

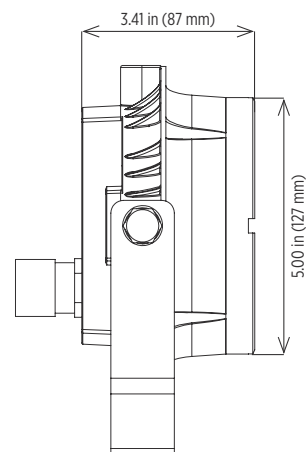
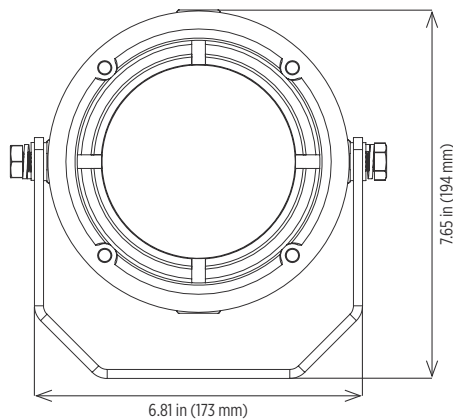
16W LED Floodlight

16W LED floodlight designed to replace 250W quartz halogen fixtures

Durable, compact design with various accessories available

For use on marine workboats, maintenance equipment and other demanding applications
LED technology increases efficiency, eliminates maintenance and supports green initiatives

Dimensions



0.53 inch (13.5 mm) mounting hole



Specifications

Construction	Marine grade cast aluminum housing
Finish	Black textured polyester powder coat
Hardware	Marine grade (316) stainless steel
Lens	Clear polycarbonate
Light source	Cree XP-E light emitting diodes (LED) 16W Up to 789 lumens (25°), 885 lumens (40°) CRI ≥ 71 CCT 6300K 50,000 hour rated life
Power source	100-277V, 50/60Hz 72.00 inch (1829 mm) cord with pigtail NEMA 5-15 plug accessory available (120V only)
Wiring	Stranded wires
Ambient operating temperature	-30°C to +25°C
Mounting	Zinc plated, powder coated adjustable steel mounting bracket 0.531 inch (13 mm) mounting hole clearance
Weight	Fixture: 3.9 lb (1.8 kg) Package: 5.2 lb (2.4 kg)
Carton size	10.00 in x 10.00 in x 6.80 in (254 mm x 254 mm x 173 mm)
Warranty	5 years

Contact factory for IES files

Compliances

ETL/cETL Certified to:

- UL 1598 Suitable for Wet Locations
- UL 1598A Marine Outside Type (Saltwater)
- CSA C22.2 No. 250.0-08

CE

ABS

IP67 rated (fixture)

LM79 and LM80 reports available



Meets the requirements of the
Buy American Act (BAA) and/or the
American Recovery and Reinvestment Act (ARRA)



Ordering Information

Example: ARI-16LED-25-120-277

Fixture	Wattage/Type	Optic	Voltage
ARI	16LED	25 40	120-277

Optic		Voltage	
25	25° optic	120-277	120-277V
40	40° optic		

Special Projects: We may be able to accommodate your special projects, so please don't hesitate to ask about additional options. Minimum order quantities and/or extended lead times will apply. Contact your Phoenix representative with specific inquiries.

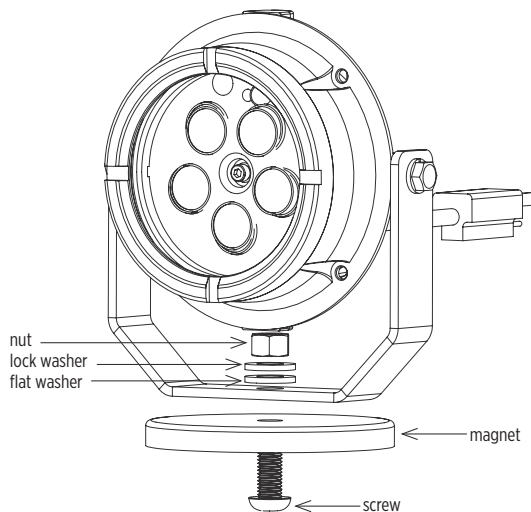
Accessories (order separately)

Magnet Base Assembly

MBA

NEMA 5-15 Plug Kit (120V only)

PLG-515



MBA notes:

- Includes magnet, screw, nut, lock washer and flat washer
- Not a suitable replacement for permanent installation
- Do not use MBA in hazardous environments
- Holding strength will vary based on application
- Holding strength for fixture and magnetic base must be deemed suitable by user



ARIES

16W LED Floodlight

PHOENIX[®]
DURABILITY X DESIGN™

Cover photo: ARIES with Magnet Base Assembly being used as a task light in a grain facility

Product design and specifications are subject to change without notice. The most current version of this specification sheet can be found on our website: www.phoenixlighting.com.



Phoenix Products Company Inc. 8711 West Port Avenue Milwaukee, WI 53224 USA
Phone: +1 414.973.3300 Toll Free: 800.438.1214 Fax: +1 414.973.3210 www.phoenixlighting.com

N54998701
10.28.15